

RECOVERY IS THE SEED WE SOW, SOBRIETY WILL REDEEM US.
LET IT GROW, SHARE OUR LIVES...

"BETWEEN-US"

VOL. 20 ISSUE 2

FEBRUARY 2012

Did Anonymity

Help Kill Jim? Two whole years of chances slipped away, and suddenly it was too late.

February 1972
Vol. 28 No. 9

I HAVE BEEN LED to believe that anonymity is a sacred secret--a fact of my life that is only for me and perhaps a few close friends to know--a well-guarded spiritual enigma.

After all, the group I belong to still prints only my first name and last initial in the monthly group bulletin. I never questioned this. They have been doing it for years. I assumed it was to keep our egos in line, to keep us from getting too "famous." In retrospect, I realize that we all know one another's last names fairly well. The New York *Times* is not waiting with bated breath to publish our names.

I have been sober seven years--not only sober, but happy and productive in all areas of my life. You can't ask for much more than that. I work for a large organization. I began working for them after sobriety. They know me only as a sober man.

("Anonymity" Continued on page 8)

WHAT'S INSIDE	Page
Office Financials	2
Secretary Meeting Notes	3
Humor	6
Club Info and Meetings	10, 11, 12
When & Where, Open Meetings	12, 13
Interesting Stuff	14 thru 20

Tradition Eleven: Our relations with the general public should be characterized by personal anonymity. We think A.A. ought to avoid sensational advertising. Our names and pictures as A.A. members ought not be broadcast, filmed, or publicly printed. Our public relations should be guided by the principle of attraction rather than promotion. There is never need to praise ourselves. We feel it better to let our friends recommend us.

Reprinted w/permission AA World Service, Inc

Sober Example

February 1972
Vol. 28 No. 9

S. M., a fairly new member of AA, who is an Internationalist, a sea-going member of the Fellowship, wrote AA's General Service Office:

"I have a regular weekly program--Sunday, a taped talk; Monday, the *Little Red Book* and *Stools and Bottles*; Tuesday, the Big Book; Wednesday, a taped talk; Thursday, Twelve Steps and Twelve Traditions; Friday, the Big Book, and Saturday I used to

("Example" Continued on page 6)

**Between-Us
Subscribers!
Last Issue, if you
haven't paid!**



Published monthly by Greater Milwaukee Central Office, Inc., 7429 W. Greenfield Ave., West Allis, WI 53214, (414) 771-9119 Visit our website at: www.aamilwaukee.com

1:36 PM
01/10/12
Accrual Basis

Greater Milwaukee Central Office AA

Profit & Loss

December 2011

Dec 11

Ordinary Income/Expense	
Income	
4000 · Literature Sales	15,128.65
4050 · Between us	2,142.50
4070 · Contributions	5,483.44
4080 · Gratitude boxes	11,173.00
4130 · Personal Contri.	132.62
4150 · Other Income	74.83
4170 · Interest Income	4.45
4600 · Merchandise Sales	9.47
48900 · Shipping and Delivery Income	257.20
Total Income	34,406.16
Cost of Goods Sold	
5000 · Literature	8,834.17
50000 · Cost of Goods Sold	7.95
52900 · Purchases - Resale Items	-3.73
Total COGS	8,838.39
Gross Profit	25,567.77
Expense	
59900 · POS Inventory Adjustments	298.44
6040 · Bank Service Charges	29.60
6045 · Coffee/Soda Expense	13.54
6050 · Credit card fees	143.31
6260 · Shipping and freight	129.94
6262 · Postage	4.28
6500 · Office	3,136.64
6600 · Payroll	8,900.33
Total Expense	12,656.08
Net Ordinary Income	12,911.69
Net Income	12,911.69
Current Assets	
Checking/Savings	
1050 · Chase Bank-Checking	4,725.50
1070 · Chase Savings Acct	22,894.42
CD Prudent Reserve	84,350.00

AREA 75 EVENTS CALENDAR

1. Go to Area 75 website at: area75.org, 2. Look for the Area 75 Events Calendar on the right side of the page. 3. Events listed are color coded according to the area office that listed them. 4. Click on the small down arrow at the top right hand corner of the Events listing for the color "key" to the area's events. 5. Click on the small down arrow in the middle (next to the date) to view a specific date or just use the scroll button to move up and down through the days listed.

Secretary Meeting, January 10, 2012

Groups represented: 6, 7, 14, 15, 19, 23, 48, 59, 60, 83, 118, 156, 200, 201, 232, 449. A New Day, A Vision For You, Airport Gp, Another Chance Tue Night, As Bill Sees It Waukesha, Badger Group, Bethesda Seniors Gp, Big Book Readers, By the Book, Cedarburg Tue, Common Solution Topic, Daily Reprieve Men's, Early Bird Roger's Memorial, Good Hope Sunday, Good Hope Tuesday, Grupo Five Conceptos, Happy Destiny, Hartford On the Hill, Hartford Wed Night Step/Topic, Helping Hand, Honest and Able, How It Works, Mayfair Ladies Mon/Fri, Monday Night Women's Waukesha, Muskego Saturday Night, New Back To Basics Bay View, New Beginnings Muskego, New Beginnings Oconomowoc, New Berlin Friday, New Berlin Big Book Tue., Oak Creek Mon 12x12, Participation Open Meeting, Pick-A-Topic, Reliance, Sat Morning Women's Freedom, Serenity at the Vineyard, Spiritual Solutions, Sun Morn Sunlight, Sun Night Surrender, T-N-T, Trust Through Fellowship, Tue Night Grapevine, There is a Solution Pewaukee, Tuesday Night Grapevine, Turning Point, Wanderers, Waukesha Sunday Night, We Need Sanity Big Book, WELL Big Book, When All Else Fails. Women's Fri Night Kick-Off, I'm sorry if I have missed anyone that was at the meeting.

Meeting opened by Kathy at 7:00 p.m.

Bank balances on Nov. 30, 2011
Business Checking: \$ 4,725.40
Money Market Savings: \$22,895.42

Deaf, Deaf/Blind and Hard of Hearing AA Meeting List, ASL Interpreter available

- Thursdays at 8:00 p. St John Vianney Parish 1755 N. Calhoun Rd, Brookfield WI. **Open AA Meeting for everyone—Third Thursday of Month**, Wheelchair entrance available.

Meetings are weekly closed AA meetings, except where otherwise noted. All meetings are Non-Smoking. **ASL Interpreter available.**

Contact John R. through Voice Relay Service 800-973-8024 / 414-546-3246 TTY/Voice.

E-mail at: johnreske9@yahoo.com
Contact George B. through Video Relay Service 866-483-1938 / 414-903-8905 TTY/VP

Prudent Reserve CD's: \$84,350.36

New secretaries were asked introduce themselves and mention the groups they represented.

Secretaries talked about whatever events might be coming up relating to AA or their groups.

November was GRATITUDE MONTH! please return box/money to the Milwaukee Central Office.

Please renew Between-Us subscriptions as soon as possible. \$9 individual, and \$18 for your group.

Volunteers are needed for the Central Office helpline, call Kathy at 414-771-9119

Jamboree Sat. Sept 15, 2012. At Zoo, Houston S. speaker.

Meeting closed at 7:15 p.m. The next meeting is Tuesday February 14, 2012. at 7 pm.

AA Groups Need Your Support

- **Gp 24, Sun. 10 a.m.** 12 Step Club, 4102 W Townsend St. Milwaukee,
- **Monday Night 7p.m. Topic Discussion**, Living Hope Church, 1991 Hwy 33, Saukville WI 53080
- **We Need Sanity, Tuesdays at 10:30 am.** St Johns 20275 Davidson Rd, Brookfield **CHILDCARE !!!**
- **Big Book Thursday 5:30 p.m.**, Living Hope Church N56 W6093 Portland Rd. Cedarburg WI 53012
- **Thursday at 12:15 pm. and Wednesday 5:30 pm. Topic at St. John's Cathedral Complex, 831 N. Van Buren St. Milwaukee 53202**
- **When All Else Fails, Saturday at 7:00 pm.** St Matthias Church, 111 E. Main St. Waukesha 53186

Orientation for GSR's

Second Tuesday of each month, 6:30 p.m. prior to the secretary's meeting, at the Milwaukee Central Office. Or, call Ken G. 608-221-2891, sherwood1@charter.net, to arrange for G.S.R. orientation at your district or workshop.

DISTRICT MEETINGS

DISTRICT

1. JACKSON, LaCROSSE, MONROE, TREMPLEAU & VERNON CNTY'S 2nd Sat. of month, 1:00 p.: Faith Evangelical Free Church, 6644 Hwy 16, Sparta WI 54656 (One mile west of Sparta)
2. GREEN LAKE & MARQUETTE CNTY'S & PART OF WAUSHARA CNTY 4th Sun. of month, 4:30 p., St. John's Church 1211 W. Main St., Princeton
3. MANITOWOC & SHEBOYGAN CNTY'S 3rd Wed. of month, 6:30 p., Even numbered months at 1907 Club, 2908 N. 21st St., Sheboygan. Odd numbered months: Alano Club, 404 S 29 St Manitowoc
4. MILWAUKEE CNTY (1 of 9) 2nd Thr. of month, 6:00 p., Alano Club, 1521 N. Prospect Av.
6. WALWORTH CNTY 2nd Wed. of month, 7:30 p., Walworth Alano Club, 611 E. Walworth St., Delavan
7. KENOSHA CNTY 3rd Sun. of month, 4:00 p., Kenosha Alano Club, 630 56th St.
8. ROCK CNTY (1 of 2) 1st Fri of month, 6:30 p., Good Shepard Lutheran Ch, 2447 Park St., Beloit
9. CRAWFORD, GRANT, IOWA and LAFAYETTE CNTY'S Last Mon. of month, 6:30 p., West View Methodist, Madison & Hathaway, Platteville,
10. Spanish District, at large. Contact Ernesto N. at 414 645-8591. Meets every Tue. at 5:00 p., 1663 S. 6th Street, Milw.
11. JEFFERSON CNTY Meets last Wed. at 5:30 p.m. Moravian Church, 301 College St., Lake Mills,
12. WASHINGTON CNTY 1st Wed. of month, 6:00 p., Jansen Family Park, Schuster Dr. West Bend
13. WAUKESHA CNTY (1 of 3) 1st Sun. of month, 1:00 p, St. Matthias Church, 111 E. Main, Waukesha
14. MILWAUKEE CNTY (1 of 9) 4th Wed. of month, 7:00 p, Milwaukee Central Office 7429 W Greenfield Ave., P.O. Box 13011, Wauwatosa WI 53226
15. MILWAUKEE CNTY (1 of 9) Last Sunday of month, 5:30 p, Milwaukee Room 933 E. Center St. Milwaukee
16. MILWAUKEE CNTY (1 of 9) 1st Wed. of month, 7:00 p, Faith United Methodist Church, 400 S. 91st St.,
17. RACINE CNTY (1 of 2) 3rd Sun. of month, 1:00 p, Grove Club, 1037 Grove Ave., Racine
18. Combined with District 2. See "District #2"
- 19/37. RICHLAND & SAUK CNTY'S Last Wed. of month, 6:15 p, in Rm 14, at Baraboo Civic Cntr.
- 20/21 DANE CNTY (1 of 2) Last Tue. of month, 6:30 p, Monona Community Center, 1011 Nichols Rd., 53716
22. MILWAUKEE CNTY (1 of 9) 2nd Thr of month, 6:00 p, Alano Club, 1521 N. Prospect Ave.
23. DODGE CNTY 1st Wed of month at 7:00 p, Dodge Cnty Alano Club, 115 N. Lincoln, Beaver Dam, call to confirm 920-583-3142
24. OZAUKEE CNTY 3rd Tue. of month, 6:30 p., Advent Lutheran, W63N642 Washington, Cedarburg
25. FOND du LAC CNTY 2nd Tue. of month, 6:30 p., Gratitude Club, 295 Ruggles St., Fond du Lac
26. DANE CNTY Combined with District 20
27. MILWAUKEE CNTY (1 of 9) 3rd Sat. of month, 9:00 a.m. 12 Step Club, 4102 W. Townsend
28. MILWAUKEE CNTY (1 of 9) 3rd Mon. of month, 7:00 p, Bay View United Methodist 2772 S Kinnickinnic Ave. Bay View, WI 53207
29. MILWAUKEE CNTY (1 of 9) 1st Mon. of month, 7:00 p, St. Alphonsus School, 6000 W. Loomis Rd., Greendale (enter west side/rear of school)
30. ROCK CNTY (1 of 2) 1st Fri. of month, 6:30 p. 734 Railroad St., Janesville. (Unity Group)
31. COLUMBIA CNTY 3rd Sun. of month, 6:30 p., Pardeeville Village Library, 119 N. Main St. Pardeeville, South entrance, lower level.
32. WAUKESHA CNTY (1 of 3) 3rd Sun. of month, 1:00 p, Galilee Lutheran Church, N24 W26430 Crestview Dr., Pewaukee.
34. WAUKESHA CNTY (1 of 3) 1st Tue. of month, 6:30 p, Northwest Alano Club, N88W17658 Christman Rd., Menomonee Falls
35. GREEN CNTY Quarterly, when called.
36. RACINE/KENOSHA (1 of 2) 2nd Tues. month 6:00 p.m., 12 & 12 Club, 724 N Pine St., Burlington
37. JUNEAU CNTY No information available.

SEND ADDITIONS AND CORRECTIONS TO:
Greater Milwaukee Central Office
7429 W. Greenfield Ave, West Allis, WI 53214,
dan@aamilwaukee.com

CORRECTIONAL INSTITUTIONS

TAYCHEedah CORRECTIONAL,

Meetings are held every other Tuesday, 5:30 -7:30 p.m. Contact: Deb L-H. (920)238-7414

FEDERAL CORRECTIONAL INSTITUTION, P.O. Box 1085 Oxford, No Meeting!

FEDERAL CORRECTIONAL Satellite Camp, New Path Group, P. O. Box 1085 Oxford, WI. Meetings Wed. at 1:30 p.m.

OAK HILL AA GROUP, OAK HILL WCI 5212 Hwy M, P.O. Box 140 Oregon, WI 53575 Meetings Wednesday at 7:00 p.m. and Sunday at 6:30 p.m. Contact: Rick B. (608) 235-5154

THOMPSON FARM, RT. 2 DEERFIELD, WI., Closed meeting Tuesday at 8:00 p.m. Contact: Tom Dickert, (608)764-5755

SOUTHERN OAKS GIRLS SCHOOL, Union Grove WI, AA Wednesday 5:55 p.m. and Alateen Tuesday 6:30 p.m. Contact: Marty S. (414) 975-8903 for clearance

ROBERT ELLSWORTH CORRECTIONAL, 21425A Spring St., Union Grove, 53182 Call for AA Meeting times: Contact Jo (262) 551-7371 or Karelyn P. 414-327-7915.

KETTLE MORaine CORRECTIONAL, Box 31, W9071 Forrest Dr., Plymouth, WI, AA Thr. at 6:00 p.m. Contact Mike L (920) 898-4782.

MILWAUKEE COUNTY HOUSE OF CORRECTION, 8885 S. 68th St. Franklin WI. **AA Women's** Saturday 10:00 a.m. Contact: Kristin L. 414-731-8572 or **AA Men's** on Sunday at 7:00 p.m. Contact: Dennis D. 414-372-8324

MILWAUKEE COUNTY JAIL 9th & State Milwaukee WI. Clearance needed at both facilities. **AA Women's** Sat. at 5:00 p.m. Contact Felisa C. (414) 672-6724. **AA Men's** Thr. at 7:00 p.m. Contact: John A. at (414) 915-9512

MILWAUKEE SECURE DETENTION CENTER, 1015 N. 10th St. Milw. Sunday Nights from 6:30 p. to 7:30 p., Men & Women, Call Marty S. at 414-975-8903 for information

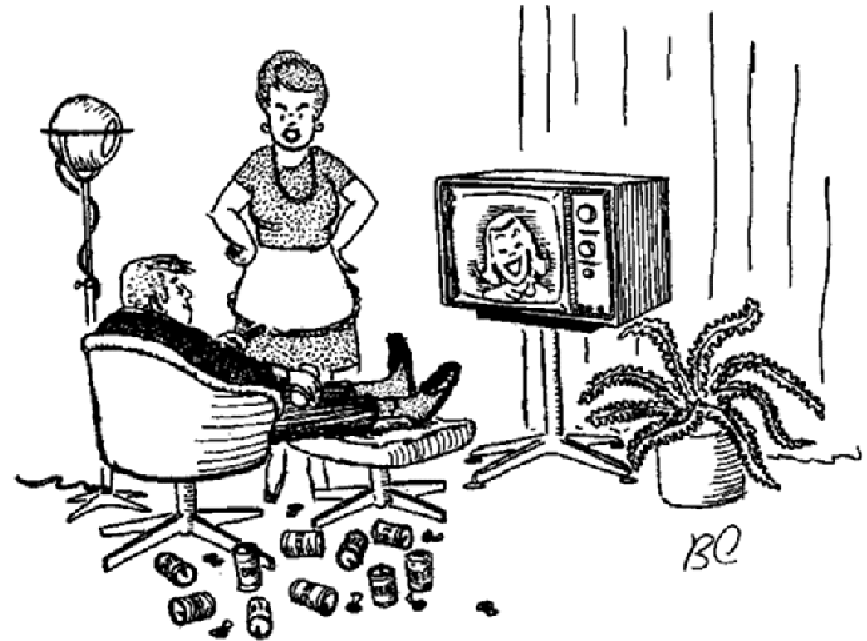
WAUPUN CORRECTIONAL INSTITUTION AA Meeting Sat. 8:00a.m.-9:30 a.m. Contact Dale C. 920-387-4229 after 5 p. clearance.

FOX LAKE CORRECTIONAL, Box #147, Fox Lake, WI 53933 Closed meetings Tue. & Fri. from 6:00 -8:00 p.m.

JEFFERSON COUNTY JAIL 411 S. Center St., Jefferson, WI, Mtng. held on Mon. at 7:00 p.m., Contact: Scott N. 920-397-0170

RACINE CORRECTIONAL INSTITUTION for MEN Mtngs: Sun. 8:30 AM, Dane Rx Unit Wed. 7:00 p. Contact: Bill H. (262) 633-1851

MILWAUKEE COUNTY CORRECTIONS COMMITTEE: Meets 3rd Wednesday of each month at Faith United Methodist Church, 400 S. 91st St (91st & Adler). All Milwaukee County Corrections donations should be sent to: **MCCC, PO Box 270544, Milwaukee WI 53227-0544.** Call coordinator: Steve G at 414-339-7691, email: stevegravatt@yahoo.com with questions. Treasurer Bill E. at 414-433-3507. Corrections volunteers must go through the committee to get AA literature to take into the various facilities. Milwaukee Central Office no longer handles the funds.



"Doctor Mason should see this 'rare occasion' when you have a beer or two — just to be sociable!"

("Example" Continued from page 1)

leave free to roam about in the rest of my material as the mood took me. I am using the past tense, as I now have an interested colleague, and if he takes to the program we will have a group and will have to conform to the group conscience as to our programs. It came as a great surprise to me when I was approached by this fellow officer a few days ago, who asked me if I could help him with his problem. Surprised in the first place, because I had not included him among the albies that I thought I had spotted amongst my colleagues, and also because I thought I was absolutely anonymous.

"Sometime ago I had written to my

AA sponsor bewailing the fact that I wasn't in a position to do Twelfth Step work. He replied, 'Don't worry about Twelfth Step work. Your own example of sobriety will be enough.' Then this new fellow told me that it was my own example of contented sobriety that first led him to approach me to see if I could help him with his problem. What a lot of wisdom there was in my friend's advice!"

So the old familiar process of one drunk talking to another, sharing their experience, strength, and hope together--just as Bill and Dr. Bob did thirty-two years ago in Akron--is still as valid as ever.

AA Internationalists Round Robin

Reprinted w/permission AA Grapevine, Inc

Area 75, So. WI, Calendar of Events 2012

Madison Senior Center (MSC), 330 W. Mifflin St. Madison, WI, except where otherwise noted.

- 1/15/12 - Winter Service Assembly
- 2/10-12/12 Conference of Delegates Past and Present - Miamisberg, Ohio
- 3/25/12 - Delegates Workshop
- 4/15/12 - Pre-Conference Assembly
- 4/21-28/12 - General Service Conference - Rye, NY
- 5/4-6/12 - Annual Area 75 Conference - Marriott Hotel, 1313 John Q Hammons Dr, Middleton WI 53562
- 6/24/12 - Summer Service Assembly
- 6/29 thru 8/1/12 - East Central Regional Conference (ECR), Grand Rapids, MI
- 8/10 - 12/12 - "Additional" East Central Regional (ECR) Forum - Mt Vernon, IL
- 10/21/12 - Fall Service Assembly "ELECTIONS"

- **Milwaukee Central Office:** 7429 W Greenfield Ave, West Allis, WI 53214 gmco@aamilwaukee.com
- **Area 75 Treasurer:** PMB #167, 5464 N Port Washington Rd., Glendale WI 53217
- **General Service Office:** G.S.O, P O Box 459, Grand Central Station, New York, N.Y. 10163
- **Area 75 Corrections, Bridging the Gap and Treatment write to:** PMB # 170, 5464 N Port Washington Rd., Glendale WI 53217

The Anecdote Bin Dedicated to the lighter side of our common prob- lem

THE height of anonymity, insists H. J. E., of Emporia, Kansas, is the AA group with an unlisted telephone number.

Spanish Speaking Meetings: Meeting at English Speaking Clubs

- GRUPO 5 CONCEPTOS, Pass It On Club, 6229 W. Forest Home Av, Milw, on Friday at 8:00 p.
- GRUPO NUEVO AMANECER, Tri-County Unity Club, 104 N. First St, Wattertown, on Tuesdays and Fridays at 7:00 PM and on Sunday at 11:00 AM
- GRUPO FE Y ESPRONZA, Gratitude Club, 295 Ruggles St. Fond du Lac WI on Wednesday at 7:00 PM and Sundays at 4:00 PM

AA In A Nutshell

An AA wonders how it works

Alcoholics Anonymous is a fellowship designed and administered by a bunch of ex-drunks whose only qualification for membership is that we finally realized that we couldn't hold our liquor and wanted to stop trying to impossibly learn how to hold it successfully. It has no rules, dues, or fees, nor anything else that any sensible organization seems to require.

At meetings, the speaker starts on one subject, winds up talking about something entirely different, and concludes by saying he doesn't know anything about the program, except that it works. The groups are often broke, yet always seem to have money to carry on. We are always losing members, but seem to grow. We claim AA is a selfish program, but always seem to be doing something for others.

Every group passes laws, rules, edicts, and pronouncements, which everyone blithely ignores. Members who disagree with anything are free to walk out in a huff, quitting forever, only to return as though noth-

ing happened, and be greeted accordingly.

Nothing we discuss in AA is planned in advance, yet great results are born from the things we share with each other, and our lives get better.

How can we survive like this?

Perhaps it's because we have learned to live and laugh at ourselves and with each other. God made us. He made laughter, too. Perhaps he is pleased with our disorganized efforts and makes things right no matter who pushes the wrong buttons.

Maybe God is pleased with our simple yet sincere efforts to do what's right for us and others. Maybe he is pleased with our trying to be nobody but ourselves. We don't know how it works, but it does, and members keep receiving their dividend checks from their AA investments.

It is wise to be sober, and it is much easier, my friends, to stay sober than it is to get sober.

Anonymous

Reprinted w/permission AA Grapevine, Inc.

(“Anonymity” Continued from page 1)

I had a co-worker named Jim. He drank to the point where it was obvious to all of us at work that he had a problem. I worked closely with Jim for two years. He had a part-time job as a bartender, and our company assumed that this was the reason for his coming to work late and smelling of whiskey.

I talked to Jim. I heard his resentments. I often knew what he was going to say before he did. I smiled. I kept my secret. I knew that eventually, when he asked, I would be able to help him.

I kept my anonymity. I felt he would appreciate this when he was ready. He would love us AAs for not being glory-seekers, though sober--simply sober people acting ordinary. I felt that he would really respond to this great humility. So I kept the secret that, I thought, gave sparkle to my eyes, the secret that, I felt, gave me the most marvelous advantage over the civilian world. Yes sir!

I have just come from Jim's funeral.

Something went wrong with my scheme. Jim drove through a red light on the way home from that night bartending job--the job he had held, not to make ends meet, but to be able to afford his habit. His

(“Proud” Continued from page 9)

the kind of feeling parents get when their pilot son has been reported lost at sea, and then a sudden message comes that he has drifted to land and safety. It's the special quality of joy one gets when some-

widow is twenty-three. His two confused children were there, cute as buttons. I stared at them and wondered whether I could have helped. I certainly would not have hurt.

I know I did not kill Jim. But I did waste two whole years of chances. All I might have had to do was tell him I was an AA member. That's all. I realize now that the **Eleventh Tradition asks us to keep our anonymity only in newspapers and on TV and radio.** It does not prohibit us from telling friends.

Now I have started to tell people I am in AA. I see the zealous guarding of my secret was a reservation on my part. I was afraid I would drink again and they would all laugh at the Great Me. I lacked complete faith in our marvelous program. I lacked courage to speak up for the very thing I love most in life--AA.

No more. If a sadness like this ever happens again, it won't be because I did not love my fellowman enough to tell him about myself, to weather his temporary scorn, perhaps. And then. . .well, who knows?

There will never be another Jim in my life. I understand anonymity now.

E. S.
Brooklyn, New York

Reprinted w/permission AA Grapevine, Inc.

thing very precious has been lost for a long time and suddenly found again.

Pat M.
New York

Reprinted w/permission AA Grapevine, Inc.

A Daughter Is Proud of Her A.A. Mother

May 1945
Vol. 1 No.

I'm proud to say that I am a daughter of a member of Alcoholics Anonymous. Indeed, I'm proud to be the daughter of a true alcoholic, for it makes my mother seem like a special kind of person. I cannot say that I have always felt this way. No one could who has grown up with an alcoholic. Certainly A.A. brings a happier life to the family and a wonderful new beginning for the alcoholic. It brings a realization that it wasn't her fault; she didn't do it just to be mean; she had an illness that somehow made her allergic to alcohol. I realize that no matter how perfect the picture is now, there are still hurts and resentment, inside of me, covered over, repressed. All the many years that I was told "Mummy isn't quite herself today," when I was afraid to bring friends home from school because "Mummy might be that way again today" --these wounds cannot be immediately wiped out just by joining A.A. Naturally.

And I think this is important for a parent to remember. The alcoholic cannot recall the things she has said and done while drinking, and she often cannot understand why her children don't trust and respect her. It takes a long time to gain back the respect of a child. It will be difficult to wipe out the wounds of these childhood experiences, but they can be wiped out. It took me more than a year before I could live pleasantly with my family again. There was so much resentment and antagonism that I could not understand what A.A. philosophy was or what it meant in my life. It is

important for the alcoholic to work slowly toward a new relationship, and not to expect an immediate change in the child's attitude. It is even more important for the child to study the A.A. program. Through this she will realize that her mother was not to blame, and a much richer, fuller relationship can develop than exists in most families. Many of my school friends have mothers who are very neurotic or very domineering, or live with families where there is some great conflict. I think I am more fortunate than they are, because many of their problems can never be solved. The remarkable thing about the problem of alcoholism in the family is that, when the alcoholic becomes sober permanently, your solution is there --concrete, visible.

As I learned of the basic, humane ideas embodied in the A.A. program, as I saw great changes in my mother, I was able to develop our relationship until today it is a perfection of unity and closeness. I realize now that we were never fighting each other, but struggling together against an unknown enemy. Through this struggle and the camaraderie that comes with licking something together, we are happier than we might have been if this problem of alcoholism had never entered our lives.

The friends I used to envy --those with an everyday, normal, wholesome life --take their families pretty much for granted. I cannot feel that way because there is something very special and inspiring about our new family relationship. Perhaps it's

(“Proud” Continued on page 8)

CLUB INFORMATION

NEW DAY CLUB
11936 N. Port Washington
Mequon, (262) 241-4673
<http://www.newdayclub.org>

A.A. MEETING SCHEDULE

Sun. 8:00 a. Topic
11:00 a. Topic
5:00 p. Young People
7:30 p. Topic

Mon. 12:30 p. Tenth Step Gp
5:30 p. More about Alcoholism
7:00 p.
8:15 p. Men's Gp

Tue. 10:00 a. Topic
5:30 p. Big Book
7:00 p. Beginners Gp
8:00 p. Big Book Gp

Wed. 10:00 a. Topic
2:00 p. Promises Meeting
5:30 p. Step Meeting
7:30 p. Women's Lifeline

Thr. 10:00 a. Topic Meeting
1:00 p. Women's Gp
5:30 p. Topic Mtng.
8:00 p. Step Meeting

Fri. 10:00 a. Topic Meeting
5:30 p. Step/Tradition
8:00 p.

Sat. 10:00 a. Step Meeting
5:00 p. Fellowship of Spirit
7:00 p. Feelings
10:00 p. Young People

8:00 p. Open Meeting (held on 3rd Saturday of month only)

AL-ANON MEETINGS
Monday 6:30 p. Al-Anon
Tuesday 1:00 p. Al-Anon/ACOA
Thursday 7:00 p. Al-Anon
Contact club for info on other fellowships.

PASS IT ON CLUB
6229 W. Forest Home Ave
Milwaukee WI (414) 541-6923
passitonclub.com

A.A. MEETING SCHEDULE

Sun. 8:00 a. Sun. Wake Up
9:30 a. Reliance Open Disc.
11:00 a. Today choice
3:00 p. Gratitude Plus
7:00 p. Big Book Readers

Mon. 7:30 a. Jump Start
10:30 a. First Step
4:00 p. HappyHour Step Gp.
7:00 p. Mon. Freedom
7:00 p. Open IntroductoryAA

Tue. 7:30 a. Comin' Back Gp
10:30 a. Keep It Simple
4:00 p. Drop the Rock
6:00 p. Women's Step
7:30 p. Three Legacies
7:30 p. Double Trouble DD/O

Wed. 7:30 a. Big Book Study
10:30 a. Pass It On
4:00 p. Happy Hr Promises
7:00 p. We, Us & Ours
7:30 a. Welcome Back Gp
10:30 a. Made Decision
5:15 p. As Bill Sees It
7:00 p. Gateway Topic Gp

Fri. 7:30 a. Honesty Gp.
10:30 a. Came To Believe
6:00 p. Women's Fri. Kickoff
6:30 p. Thoughts 4 Today
8:00 p. Spanish Speaking

Sat. 8:30 a. Early Bird
10:30 a. Happy Joyous Free
3:00 p. Twelve Promises
8:00 p. Back to Basics 12x12

AL-ANON MEETINGS

Sun. 11:00 a. Thr. 7:00 p. (Alateen)
Tue. open Fri. 7:30 p.
Wed. 7:00 p. Sat. 10:30 a.

LAKE AREA CLUB
N60 W 35878 Lake Dr
Oconomowoc, WI
(262) 567-9912
www.lakeareaclub.com

A.A. MEETING SCHEDULE

Sun. 8:00 a.
11:00 a.
6:00 p. Big Book
8:00 p.

Mon. 9:00 a. Positive Attitude
6:30 p.
8:00 p. Step/Tradition Stdy

Tue. 1:00 p.
4:00 p.
8:00 p. Back To Basics

Wed. 8:00 a.
10:00 a.
6:00 p.
8:00 p.

Thr. 10:00 a.
4:00 p.
6:00 p. Women's Group
8:00 p.

Fri. 12:30 p.
4:00 p.
6:00 p. Non-smoking
7:00 p.
8:00 p.

Sat. 8:30 a.
10:00 a. Big Book
8:00 p.

AL-ANON MEETINGS

Mon. 8:00 p. Al-Anon
Tue. 9:00 a. Al-Anon
Wed. 7:00 p. Al-Anon

OPEN SPEAKER MEETING
Sat. 7:00 p. 2nd & 4th Saturdays
(AA and/or Al-Anon Speakers)

WAUKESHA ALANO CLUB
318 W. Broadway
Waukesha, WI
(262) 549-6541

A.A. MEETING SCHEDULE

Sun. 11:00 a. Sun Go-To-Mtng
(Open speaker 2nd Sunday & Breakfast)
7:00 p. (Open Step Gp)

Mon. 12:00 Noon
6:00 p. Beginners AA
7:00 p. (12 & 12)

Tue. 12:00 Noon

Wed. 12:00 Noon
5:30 p. Topic Gp
8:00 p.

Thr. 12:00 Noon
8:00 p.

Fri. 12:00 Noon T.G.I.F. Gp

Sat. 10:00 a. Gp 124
7:00 p. Closed Meeting

OPEN MEETINGS, DANCES & EVENTS
Call for information.

UNITY CLUB
1715 Creek Drive
West Bend, (262) 338-3500
<http://www.unityofwb.com>

AA MEETING SCHEDULE

Sun. 10:30 a.** Gratitude Gp.
8:00 p. Candlelight Gp.

Mon. 10:00 a. Monday A.M.
7:00 p. Men's
7:00 p. Women's

Tue. 10:00 a. Tuesday A.M.
7:30 p. Beginner's
8:00 p. Step Gp

Wed. 10:00 a. Promises
1:00 p. Steps/Promises
8:15 p. Step Gp

Thr. 10:00 a. Big Book
8:00 p. Young People

Fri. 10:00 a. Step/Topic Gp
8:00 p.* Step Gp.

Sat. 10:00 a. Here & Now
7:00 p. Big Book

AL-ANON & ALATEEN MTNGS
Monday 6:30 p. Alateen
Wednesday 7:15 p. Al-Anon

* Open Mtng. Last Friday of month
** Open Mtng. 3rd Sunday of month (a.m.)

SERENITY CLUB
3677 E. Pulaski Ave,
Cudahy, WI 53110,
(414)483-8308
serenityclub.info

AA Meetings

Sun. 10:00 a. Welcome Gp.
7:00 p. Gp. 83

Mon. 10:00 a. Honesty Gp.
8:00 p. Sharing Strength

Tue. 10:00 a. Gp. 118
8:00 p. Gratitude Gp.

Wed. 10:00 a. Rap Discussion
5:30 P. Courage/Change
8:00 p. 1 Day At A Time

Thr. 10:00 a. Gp. 89
8:00 p. Gp. 88

Fri. 10:00 a. Gp. 41
6:30 p. Broken Arrow
8:00 p. Gp. 449

Sat. 10:00 a. Reliance Gp.
7:00 p. Big Book Gp.

AL-ANON MTNG: Sunday 5:30 p.
AL-ANON MTNG: Tuesday 6:30 p.

Call Club for Open Meeting & Dance Information

CLUB INFORMATION

WALWORTH COUNTY ALANO CLUB

611 Walworth St.
(Hwy. 50 & 11)
Delavan, WI 53115,
(262) 740-1888

Sunday AA
10:00 a. Primitive Group
12:00 Noon Open Speakers
6:30 p. Delavan Discussion

Monday AA
7:30 a. Delavan Sunny Side Up
12:00 Noon Delavan Step Meeting
6:30 p. Former Miss Americas (Women's Step Group)
6:30 p. Delavan Men's Meeting

Tuesday AA
7:30 a. Delavan Sunrise Tue
12:00 Noon Delavan Noon Gp.
6:30 p. Delavan 12 Step Topic

Wednesday AA
7:30 a. Delavan Sunrise Wed.
12:00 Noon As Bill Sees It Gp.
6:30 p. Delavan IT Meeting

Thursday AA
7:30 a. Delavan Sunrise Thr.
12:00 Noon Delavan Noon Gp.
5:30 p. Step Sisters Women
6:30 p. Delavan Big Book Gp.

Friday AA
7:30 a. Delavan Sunrise Fri.
12:00 Noon Big Book Study
6:30 p. Delavan Discussion
8:00 p. Delavan Candle-less Gp.

Saturday AA
12:00 Noon Delavan Noon Gp.
6:30 p. Delavan Beginners Gp.

ALANO CLUB 1521 N. Prospect Ave.
Milwaukee, WI (414) 278-9102
<http://www.alanofoundation.com>

A.A. MEETING SCHEDULE

Sun. 10:00 a. Gp 17 Step
4:30 p. Step Gp
7:30 p. Gp 19 Step
10:00 p. Topic Gp

Mon. 7:00 a. Early Morning
10:30 a. Gp 72 Topic
12:15 p. Big Book Meeting
5:30 p. 12 x 12 Monday Blues
6:30 p. Gp 40 Big Book
8:00 p. Gp 20 Topic
10:30 p. Living Sober Step/Topic

Tue. 7:00 a. As Bill Sees It,
10:30 a. Gp 70 Step
12:15 p. Gp 76
5:30 p. Men's AA & Al-Anon
7:00 p. Beginners, 1st Step (3rd fl)
8:00 p. Gp 57 Topic
10:30 p. 4th Dimension Step/Topic

Wed. 7:00 a. Men's Step
10:30 a. Gp 9, Step
12:10 p. Oas8 Topic Gp
6:00 p. Gp 91 Women's
8:00 p. Gp 3 Step/Topic
10:30 p. Step/Topic Gp

Thr. 7:00 a. Big Book Meeting
10:30 a. Gp 97, Step
12:15 p. Here & Now Gp
5:30 p. Acceptance Topic
7:00 p. LGBT Big Book
7:30 p. Gp 26 12x12

Fri. 7:00 a. Daily Reflections
10:30 a. Gp 21, Step
12:15 p. Gp 65
6:30 p. Here & Now
8:30 p. Gp30 Tub Topic
11:30 p. Step/Topic
12:15 a. Second Shifters

Sat. 11:00 a. Gp 87 Step
3:00 p. Spiritual Growth
7:30 p. Open Speaker
9:00 p. Here and Now
11:30 p. Tub-Topic

AL-ANON MEETING Sunday 10:00 a.
Club is smoke free. Many meetings break outdoors for smoking.

H.O.W. TO CLUB

8930 W. National Ave,
West Allis, (414) 543-2448
<http://howtoclub.info/>
Sun. 8 a.-11 p.
Mon - Thr. 9 a. -11 p
Fri - Sat. 9 a. - 1 a.

AA MEETING SCHEDULE

Sun. 8:00 a. Eye Opener AA Gp.
10:00 a. Grass Roots (Steps)
4:30 p. Drop the Rock 6/7 Step
6:00 p. AA Topic Group
8:00 p. Sun. Sober & Serene

Mon. 11:00 a. Winner's Circle
5:45 p. Gp 132, Women's Gp
7:00 p. Big Book Gp.
8:00 p. New Hope Gp.
11:15 p. Nighthawk Gp.

Tue. 11:00 a. Willingness Group
6:00 p. Tuesday Non-Smok
8:00 p. 12 & 12 AA Meeting

Wed. 10:00 a. Foundations Meeting
6:00 p. AA Beginners Gp.
7:00 p. Women's Freedom
8:00 p. Promises Group
11:15 p. After Hours Gp.

Thr. 10:00 a. But For Grace Of God
6:00 p. 6 PM Here and Now
8:00 p. How To Get It Going

Fri. 11:00 a. Priority Group
6:00 p. Big Book Group
8:00 p. R.U.S. For Us
11:15 p. Candlelight Promises

Sat. 9:15 a. Men's Topic
11:00 a. Pioneers Group
6:00 p. 1st & 12 Topic
8:00 p. HOW To Saturday*)
*(Open meeting on 3rd Saturday)
10:30 p. Candlelight Gratitude

CLUB INFORMATION

The "Clubs" listed here are not A.A. Clubs. **A.A. DOES NOT HAVE CLUBS!**

A.A. neither endorses nor opposes such clubs. These are social clubs established by groups or individuals who are themselves recovering alcoholics. The A.A. group meeting at the club is available to any alcoholic - club member or not. The group is separate from the club and pays a fair rent for the use of the club facilities. Even though the group meets in a club that may be composed exclusively of A.A. members, and many members of the group may be club members, too, the relationship of the A.A. group itself to the club should be the same as it would be to a church, hospital, school, etc., in which it might rent space for its meetings.

12 STEP CLUB

4102 W Townsend St.
Milwaukee, WI 53216
(414) 871-0610

A.A. MEETING SCHEDULE

Sun. 10:00 a. Gp. 24 Upstairs

Mon. 11:00 a. Gp. 92

Tuesday 6:45 p, Gp. 79

Wed. 11:00 a. Gp. 27

Fri. 11:00 a. Gp. 61 (12x12)
6:00 p. Women's Gp.

Sat. 10:00 a. Beginners Gp.
7:00 p. Gp 6

CALL THE CLUB FOR INFORMATION ON OPEN A.A. MEETINGS, MEETINGS FOR OTHER FELLOWSHIPS and SPECIAL EVENTS.

1907 CLUB

2908 N 21st St.
Sheboygan, WI 53083
(920) 457-9633

AA MEETING SCHEDULE

Sun: 7:00 p. As Bill Sees It
Mon: 6:30 p. Old Timers
7:30 p. Women's
8:00 p. Beginners
Tue: 6:00 p. Big Book
Wed: 6:00 a. Back To Basics
8:00 p. WITTSS
Thr: 6:00 p. Topic Meeting
Fri: 8:00 p. Good Fight Gp
Sat: 9:30 a. Non-Smoking
6:30 p. Grapevine
MtnG

Open Meeting 1st & 3rd
Saturday of month at 8:00 p.

Al-Anon Meetings
Monday: 7:00 p. Al-Anon
Wednesday: 9:30 a. Al-Anon
Saturday: 9:30 a. Ala-teen
9:30 a. Ala-Tot
9:30 a. Al-Anon

When and Where

NEW MEETINGS

New Back To Basics, Grace Presbyterian, 2931 S Kinnickinnic Ave, Milw. 53207 **Mondays at 7 p.**

Women's Big Book, Christ Church 13460 N Port Washington Rd, Mequon 53092, **Mondays at 6:00 p.**
Gp 79, Twelve Step Club, 4102 W Townsend St, Milwaukee 53216, meets **Tuesday at 6:45 p.**

Tue Night St Jude Step Meeting, St Jude Church, 822 Glenview Ave, Wauwatosa, WI meets **Tuesdays at 7:00 p.m.**

Polish Sober Eagles (Polish Speaking) Prince of Peace, 4419 S Howell Ave Milwaukee 53207 (rear parking & entrance) **Meets on Tuesday at 6:00 p.** (Polish/Russian Interpreter available)

Tues Night Bay View Big Book, United Methodist 2772 S K.K. Ave, meets on **Tuesdays at 5:30 p.**

By The Book, Tippecanoe Presbyterian, 125 W Saveland Ave Milwaukee **Wednesday, 7:00 p.**

On Wisconsin! Friday, 7:00 p.
Veteran's Manor 3430 W Wisconsin Ave, Milwaukee

11th Step Open AA Meeting, Bethel Lutheran Church, S77W18426 Janesville Rd, Muskego. **Meets Saturdays at 7:30 a.m.**

DISBANDED GROUPS

Fight the Good Fight Open, Ace Boxing Club, 2160 S 10th, Milw. met on Mondays at 7:00 p.

Group 14, Roundy's, Whitefish Bay, met on Tuesdays at 8 p.

24 HOUR CLUB

153 Green Bay Rd.
Thiensville, WI
(262) 242-9999

A.A. MEETING SCHEDULE

Sun. 8:00 a. Topic
10:00 a. Step/Topic
5:00 p. Step

Mon. 6:30 a. Topic
10:00 a. Topic
12:00 p. Women's
8:00 p. Men's

Tue. 6:30 a. Topic
10:00 a. Step/Topic
5:30 p. Big Book

Wed. 6:30 a. Topic
10:00 a. Big Book
5:15 p. Women's

Thr. 6:30 a. Topic
10:00 a. Topic
5:30 p. Step/Topic/Trad

Fri. 6:30 a. Topic
10:00 a. Step/12 & 12
5:30 p. Principles
8:00 p. Step

Sat. 6:30 a. Topic
8:30 a. Living Sober
10:00 a. Big Book

8:00 p. Open Speaker Mtng.
(1st Saturday Only)

GALANO CLUB

- LGBT Recovery -

315 W. Court St. Suite 201
Milwaukee, WI 53212-3825
(414) 276-6936
<http://www.galanoclub.org/>

mail@galanoclub.org

MEETING SCHEDULE

Sun. 10:30 a. Step Topic

Mon. 7:30 p. Came To Believe

Tue. 5:30 p. 40+ Topic

Wed. 7:00 p. 12 x 12

Fri. 7:00 p. Step/Topic

Sat. 7:30 p. Topic

AL-ANON MEETINGS

Sun. 10:30 a.m. (Co-ed.)

CALL THE CLUB FOR INFO ON SPECIAL EVENTS AND OPEN MEETINGS!

NORTHWEST ALANO CLUB*

N88 W17658 Christman Rd
Menomonee Falls WI
53051 (No Phone)

A.A. MEETING SCHEDULE

Sun. 7:30 p.

Mon. 7:00 p.
8:00 p. Action Gp

Tue. 10:00 a. Step
8:00 p.

Wed. 8:00 p. Step/Topic

Thr. 10:00 a. Step
6:00 p. Women's

Fri. 8:00 p. Step/Topic

Sat. 10:00 a. Step

AL-ANON MEETINGS

Wed. 8:00 p. Al-Anon
Fri. 8:00 p. Al-Anon

*This Club is a Smoke-Free environment. We have ample meeting space available for 12 Step groups. Contact the Northwest Alano Club by mail.

Gp 11 Friday, Roundy's Church, Whitefish Bay, **met at 8 p. Friday**

Holy Hill Gp, on Friday in Hubertus no longer meets at Holy Hill.

OTHER CHANGES

Gp 91 Women, Alano Club 1521 N Prospect Wed at 6 p. now has **Child Care Available**.

Time To Start Living, Brookfield Presbyterian, 1485 Brookfield Rd, Noon on Mondays, now has an **open meeting on the last Monday** of the month.

The First 164, formerly at Roundy's Church **NOW meets at Christ Church 5655 N Lake Dr, Whitefish Bay, at 6:00 p. Tuesdays**

Cedarburg Tue Gp, Advent Lutheran W63 N642 Washington Ave, Cedarburg, formerly met at 8:00 p. on Tuesday, now meets at 7:00 p.

Stop For A Quick One, formerly at Roundy's Church **NOW meets at Kingo Lutheran, 1225 E Olive, Shorewood at 5:30 p. Thursdays**

Here and Now, formerly at the 12 Step Club, now meets on Thursdays 7 p. at St Francis of Assisi Church, 1927 N 4th St Milw. 53212

Oak Creek Friday Night, All Saints, 9131 S Howell, **NEW time is 8:00 p.m.**

Sat. 10:30 a., Women's Freedom Bay View United, 2772 S KK, Milw. 53207 **Child Care Available**

OPEN MEETINGS

Weekly & monthly open meetings listed in November 2011, When & Where

aamilwaukee.com/directory.html

Sundays at 5:00 p. Pass It On Club, 6229 W. Forest Home Ave.

1st Monday at 1:30 p. Bethesda Seniors Community Center Open

Meeting, 2845 W Fond du Lac Ave
Wednesdays at 7:00 p. Salem United Methodist Church, 541 Hwy. 59, Waukesha,

1st Friday only 8:00 p. St. Lukes Church, 300 Carroll St., Waukesha

1st Saturday 8:00 p. 24 Hour Club Open Meeting, 153 Green Bay Rd, Thiensville,

Second Saturday at 7:00 p. New Hope United Church, 4360 N. Jackson Dr., Jackson WI

2nd Saturday at 7:00 p. Dist 34, St. Francis Episcopal Church, N84 W16525 Menomonee Ave

2nd Sunday at 11:00 a. Alano Club 318 W. Broadway, Waukesha,

3rd Sunday at 11:00 a. Friendship Club 2245 W. Fond du Lac Ave. Milwaukee, WI

3rd Saturday 8:00 p. HOW To Club 8930 W. National Ave, West Allis

3rd Saturday 8:00 p. New Day Club 11936 N. Port Washington Rd, Mequon, WI

Last Wednesday 8:00 p. Trinity United Church of Christ, 4435 N. Calhoun Rd, Brookfield

Last Wednesday 8:00 p. Holy Assumption School, 72nd & Orchard,

Saturdays 7:30 p. Alano Club 1521 N. Prospect, Milwaukee

Fri Night Couples, February 17, 2012 7:30 p. AA & Al-Anon Speakers, St. Pius Church, 2520 N Wauwatosa Ave. Wauwatosa

Contact the Central Office via email: gmco@aamilwaukee.com, before the 12th of the month prior to your meeting so that it can be listed here under the special Open Meetings.

5/5

"Faithful Fivers"

Greater Milwaukee Central Office
7429 W. Greenfield Ave. West Allis WI 53214

Faithful Fivers "When we meet and defeat the temptation to take large gifts, we are only being prudent. But when we are generous with the hat, we give a token that we are grateful for our blessings and evidence that we are eager to share what we have found with those who still suffer." - *Bill W.*

Every single AA service is designed to make 12th Step work possible. As a **Faithful Fiver** your personal contributions can and will make our vital services possible. You can start with a minimum monthly contribution of \$5.00 or more. This can be paid by check or billed to your credit card.

Yes! I want to participate in the Faithful Fivers Club.

Contribution Information: Date: _____
Amount \$: _____ **Monthly** _____ **Quarterly** _____ **Annually** _____

(Note no AA member can contribute more than \$3000 per year)

I am a new member _____ a current member _____ a returning member _____

Payment Plan:

Check enclosed: _____ or Bill my credit card: Visa _____ M/C _____ Discover _____

Card #: _____ - _____ - _____ - _____ - _____

Expiration Date: ____/____/____

Name _____

Address _____

City _____ **State** _____ **Zip** _____

Phone Number (____) _____ - _____

2012 Weekend Retreats Jesuit Retreat House, Oshkosh, WI jesuitretreathouse.org

Men and Women members of AA, Al-Anon
Total cost: 4 days \$325.00. Send a \$50.00 deposit with requests for specific dates to: Jesuit Retreat House, 4800 Fahrwald Road, Oshkosh, WI 54901 or call for information, 1(800) 962-7330
May 3-6 Men, Fr Peter Fennessy, SJ
May 10-13 Women, Sr Elise Cholewinski, OSF
May 17-20 Men, Fr Len Kraus, SJ
Aug 16-19 Women, Fr John Schwantes SJ
Nov 8-11 Women, Sr Elise Cholewinski, OSF
Nov 15-18 Women, Sr Linda Fischer, ASC
Nov 29-Dec 2 Men, Fr Richard Dunphy SJ

Redemptorist Retreat Center, 1800 North Timber Trail Lane, Oconomowoc, WI 53066, (262) 567-6900 Email: rrc@redemptoristretreat.org May 18 - 20 Retreat for Members of AA and Al-Anon.
Arrive 3:00 p.m. Friday - Depart 12:00 p.m. Sunday (Fee: \$185.00). This is not a silent retreat. The program focuses on discussion meetings covering some of the twelve steps and corresponding topics. Free time to enjoy the grounds and the fellowship of other recovering individuals. Presenters: Br. Gerry Patin, C.Ss.R.

MILWAUKEE CENTRAL OFFICE

- **E-mail the Board President at:** board@aamilwaukee.com
- **E-mail Director Dan F. at:** dan@aamilwaukee.com
- **Hours:** 9 a.m. to 6 p.m. Mon.-Fri.; 9 a.m. to 5 p.m. on Saturday
- **G.S.R. Orientation, 2nd** Tuesday 6:30 p.
- **Secretary Meeting, 2nd** Tuesday 7:00 p.
- **Board of Directors Meeting,** Wednesday following Secretaries Meeting, (odd numbered months) 6:30 p.
- **A. A. Meetings, Mon - Fri at 12:15 p. and 4:00 p.**
- **A. A. Meetings Saturday 9:15 a., 10:30 a. and 3:00 p.**
- www.aamilwaukee.com

Open Speaker Meeting and Dinner

Pass It On Club

6229 W. Forest Home Av.



March 17th, 2012

Dinner: 5:30 p.m.

Join the Friday Night "Thoughts For Today" Group

Spend the night with us as our speakers share their experience, strength and hope with us.

Dinner will be served in the traditional Irish fashion with Corned Beef and Cabbage, Baked Chicken, Potatoes, Salad, and Dessert.

Speakers:

AA Chris K.
Al-Anon David B.

Tickets are \$10.00, available in advance or at the door.

Written for Us Newcomer's Meeting

An Insight to 'How it Works'

A meeting for newcomers and/or old-timers

when:

Saturday's from 9:15 to 10:15am

where:

Greater Milwaukee Central Office

7429 West Greenfield Avenue

West Allis, WI 53214

414.771.9119



Come JOIN US & learn more about Alcoholics Anonymous

Monday Night Action Group Anniversary - Spaghetti - Dinner

FEBRUARY 25th, 2012

Good Shepherd Church - Daniels Hall

N88 W17658 Christman Road

Menomonee Falls, Wisconsin

Speaker: Pat H. Shorewood, Minnesota

Social Hour: 5:30 pm

Dinner: 6:30 pm

Speaker: 8:00 pm

Entertainment: Dance to Follow

\$10.00 / person

** Limited Tickets Available

It takes "A-A Action" to host our event; if you enjoy service or would like to participate in our gathering, *Gr-attitude* volunteers are accepted for set-up, clean-up, salads, serving, desserts, and various assigned duties.

Note - "Bill W Tickets" - available

Donations for "Bill W. Tickets" accepted

Info Contact: Hans W. 262 - 442 - 4364

Ken W. 262 - 339 - 7159

36th Annual

BADGER

Architect
in
Diversity

INTERGROUP!

SATURDAY

March 31, 2012

Waukesha Expo Center
(non-smoking facility)

Speaker: **Clancy I.**
from Los Angeles, CA

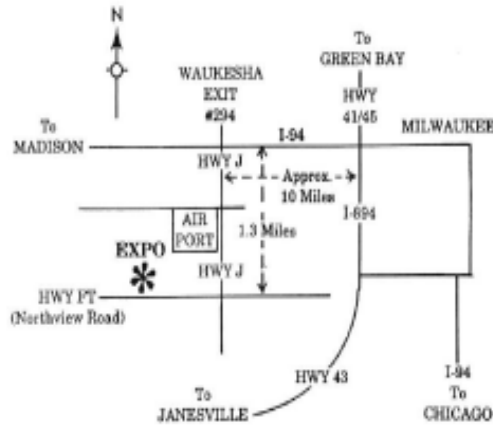
Social Hour – 5:30 pm
Dinner – 6:30 pm
Speaker – 8:00 pm

Dance to follow

Coffee & Soda Available

Tickets: \$25.00 each

(PROCEEDS WILL BE SPLIT)
All Sales are Final – No Refunds



TICKETS BY MAIL-IN ONLY.

Payment must be received by **March 17, 2012.**

Tickets **will NOT** be sold *at the door.*
THIS FLYER MAY BE REPRODUCED

"We absolutely insist on enjoying life."

MAIL TEAR-OFF SECTION TO: Nancy J., N31W23819 Rough Hill Rd, Pewaukee WI 53072,
414-550-1777

NAME: _____ PHONE: _____

ADDRESS: _____

NUMBER of TICKETS: _____ x \$25.00 each = AMOUNT ENCLOSED: \$ _____

Check Payable to: *Badger Intergroup*

____ A.D.A. Accessible Seats Needed

All Sales are Final!

THANK YOU!

**Alcoholics
Anonymous
History**

2012
**Area 75 Archives Room
Open Sundays
12:00 to 3:30**

**Area 75
History**

Closed
March 25, April 15, May 6, October 21

Open by Appointment Only:
January, February, June, July, August, December

For App. Contact: Nancy Seelen Area 75 Archivist 414 339-3934 aanancy@att.net

Located in the Lower Level of

Holy Assumption School

7109 West Orchard St

(1 block South of Greenfield)

West Allis, Wisconsin 53214

Your History

We Can't Know Where We Are
If We Don't Know Where We Have Been!!

**District
Histories**

**Meeting
Histories**

■ Area 75 Archives

★ Milwaukee Central Office



40th 40th 40th 40th 40th 40th

GROUP 48's

40th Annual Open Meeting

Sat. Feb. 18th. 2012

Immaculate Conception
1051 E. Russell Avenue
Milwaukee, Wis.

AI-Anon Speaker: Anne V.

AA Speaker: Nancy H.

Present Delegate Area 75

5:00PM To 6:00P.M. Hospitality

6:00PM to 7:00P.M. Dinner

7:00PM to 9:00 P.M. Speakers

Dinner tickets \$10.00

Ticket sales deadline February 12th, 2012

Call: John H. 414-727-0716

Km N. 262-833-1256

40th 40th 40th 40th 40th 40th 40th 40th 40th 40th

Friday Night Couples AA
and AI-Anon Meeting

20th Anniversary

Open Meeting

Friday, February 17th

Fellowship: 7:00 to 7:30

Speakers: 7:30 to 8:45

AI-Anon Speaker: Ruth H.



AA Speaker: John H

St. Pius Church

2520 N. Wauwatosa Ave. (76th St.)

Just north of North Ave.

(Enter the building on Wauwatosa Ave.

Turn Left & up the Stairs)



February 2012 Round Robin

Come join Today's Choices

(Sunday 11:00 a.m. Pass It On Club)

as we host the February 2012 Round Robin.

When: Sunday, February 12th, 7:00 p.m.

At: Emanuel United Church of Christ
10627 W. Forest Home Ave, Hales Corners

Alanon Speaker: Kathy M.

AA Speaker: Bill P.

Join us for fellowship, food and fun!

Join us for the 34th Annual Snow Ball Fundraiser to support the Al-Anon Service Center of SE Wisconsin

Dinner, Drawing, Speakers & Dance

Saturday, February 25, 2012

American Serb Hall,
5101 W Oklahoma Ave, Milwaukee, WI

Dinner 4:30 - 6:00 pm

Speakers 7:00 - 9:00 pm

Dance 9:30 - 12:00 midnight

Speakers: Al-Anon – Kate W. – Chicago, IL

AA – James L. – Chicago, IL

Donations:

Dinner & Full Event Tickets: \$25

Speaker & Dance Only Ticket: \$10

Contact the service center office for tickets:

AFG of SE WI

6737 W. Washington, West Allis, WI

414-257-2415



Dinner Tickets Available Only in Advance. Speaker/Dance Tickets may be purchased at the door. Drawing tickets available through the service center and at the event.

Big Ticket Drawing!

Two fabulous prizes will be offered in separate Big Ticket drawings at this year's event. You need not be present to win. As always, a basket drawing will also be held.

"Three Bears" Afghan Set

Keep the whole family warm this winter with this striking set of three hand-made afghans. Beautifully crocheted in patterns that will appeal to Mama Bear, Papa Bear, and even a baby afghan for the little one.



Family Fun Pack

The popular Family Fun Pack is back! Includes gift certificates for a family of four to spend a fun-filled few days at an area venue. The winner will be able to choose between Country Springs Water Park or Green Lake Retreat Center. Gift certificates good for any time of the year.

